


PRODUCT SHEET

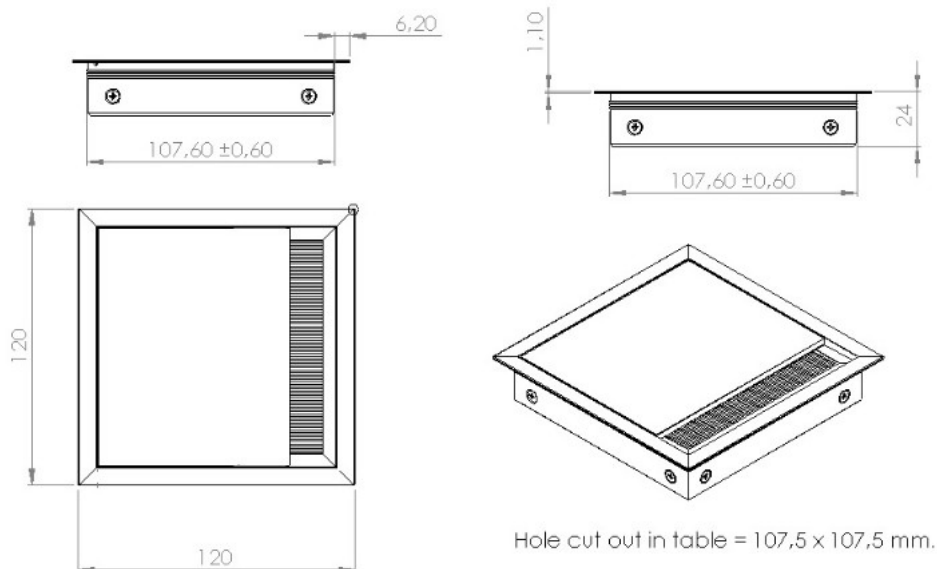
Description:

Alu. Grommet "Forro" 120x120x24mm, Anodized, W/Brush, Bumper & Straight Lid, Inner Size 107,6x107,6mm,, Tolerance +/-0,6

Item number:

25.20.347-0

Units	Box	Carton	HS Code	Barcode
Pcs.	1	160	7616991099	
				5704866447744



SISO A/S

Mileparken 11
DK-2740 Skovlunde
Denmark
VAT: DK 24786013

Phone +45 45 830 900

www.siso.dk
siso@siso.dk

Danske Bank
Nytorv Branch
Copenhagen
SWIFT: DABADKKK

Account no.
4180 3112 112936
IBAN Account
DK7230003112112936